

Industrial Sewing Machines

Kansai Special

INSTRUCTION MANUAL

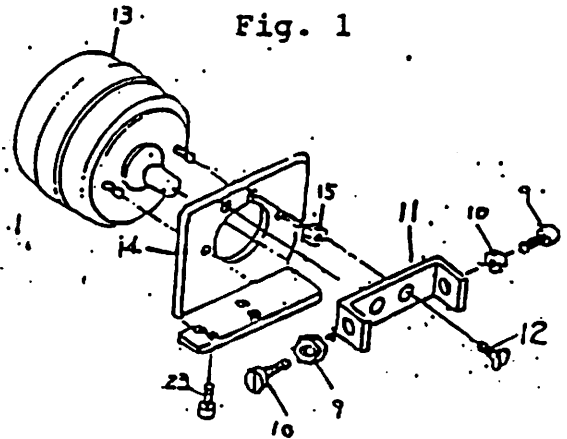
V-7000/UTC

M-5000/UTC

ADJUSTMENT INSTRUCTIONS FOR THREAD TRIMMER
V-7000/UTC & L-5000/UTC

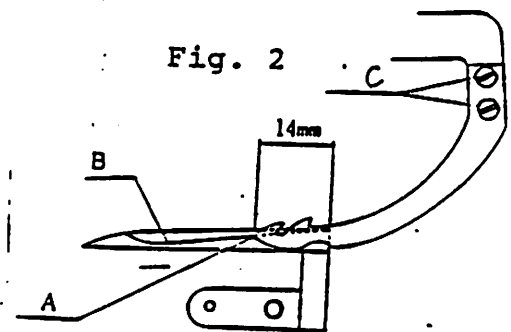
ADJUSTMENT OF UTC SOLENOID STROKE

The stroke of the solenoid is adjustable to accommodate different needle gauges. The stroke of the solenoid (Fig. 1) is limited by the stopper screws (Fig. 1, #9). To adjust loosen lock nut (#10) and turn the screw to the desired adjustment and tighten the lock nut.

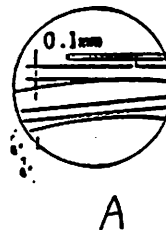
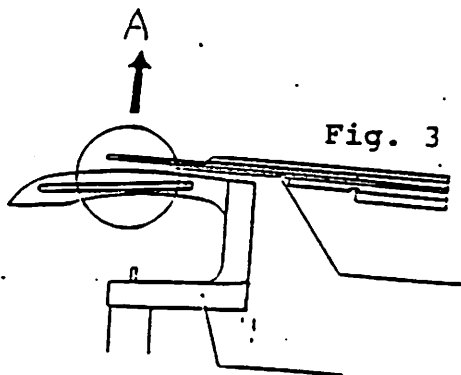


KNIFE ADJUSTMENT

The initial setting for position of the movable knife is done with the motor turned off. Raise the needles to their highest point (TDC) and move the knife to the position shown in Fig. 2. The tip of the knife 14mm past the right side of the looper at this position the tip of the knife is directly above the back edge of the looper, where it begins to slope down (Fig. 2, B). To adjust loosen screws C and set knife in the correct position then tighten screws C.

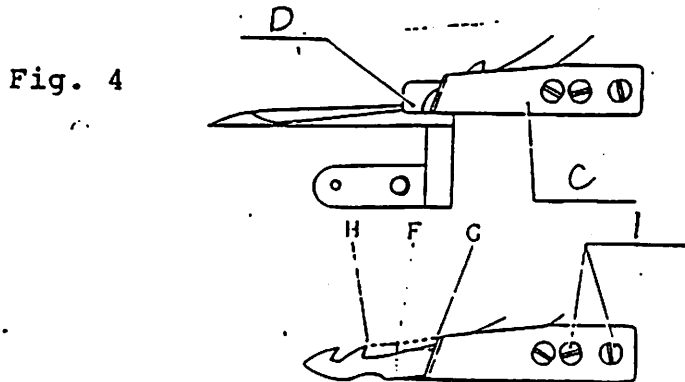


With knife fully extended the looper retaining spring is 0.1 mm above the looper. Should adjustment be necessary CAREFULLY BEND the knife mounting bracket. (Fig. 3, A)

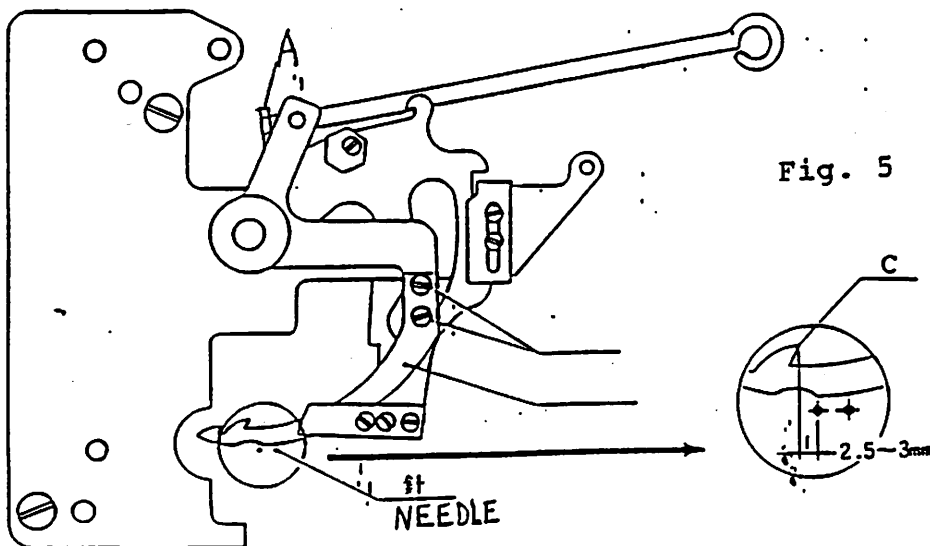


KNIFE ADJUSTMENT (Continued)

The stationary knife and looper retaining spring are set in relation to the movable knife. (See Fig. 4) The tip of needle catcher blade H must pass under stationary knife G and the edge of the looper retainer spring even with (F) side of movable knife. Loosen screws (I) to adjust then tighten the screws and check adjustment.

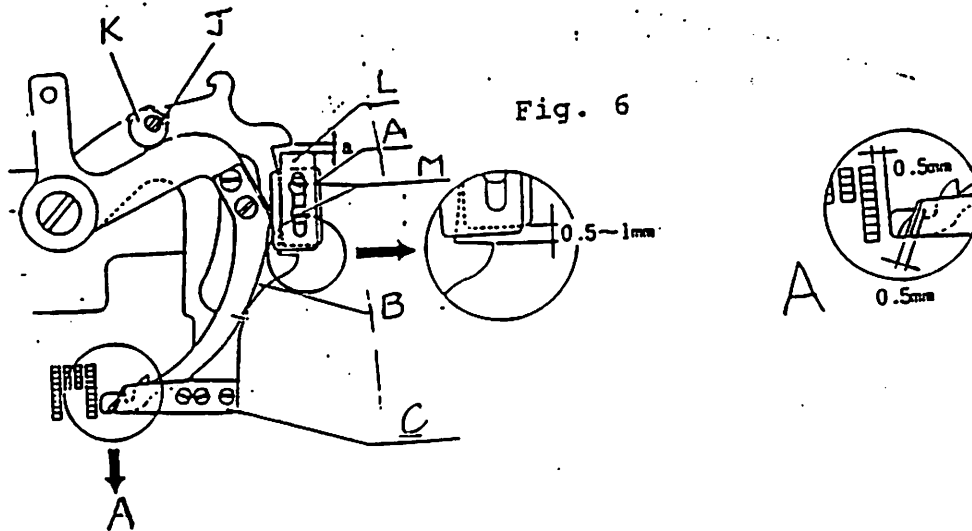


Knife stroke is set as shown in Fig 5 & Fig 6. When fully extended the looper thread catcher (C) must be 2.5 to 3.0 mm past the left needle.



KNIFE ADJUSTMENT (Continued)

When the knife returns to the rest position the edge of the looper catcher knife is 0.5 mm under the stationary blade (Fig. 6) and the looper retaining spring 0.5 mm from the feed dog. (Fig. 6, A) Adjust using solenoid stopper screws (Fig. 1, #9).

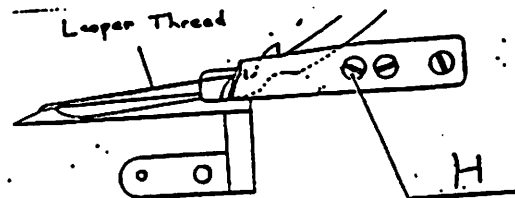


Adjusting thread tail length

By changing the gap (Fig. 6, a) the length of the tails after trimming can be changed. A larger gap will result in shorter tails, adjust by loosening screw J and turning eccentric K then tighten screw J.

The stationary knife stopper must have a small gap (0.5- 1mm) to reduce wear on the knife assembly. Adjust stationary knife stopper (Fig. 6, A) by loosening screws M set A and then tighten screws M.

Looper thread retainer tension is adjusted by screw H. Cotton thread should be held with more tension than threads with more elasticity such as texturized (wooly) polyester.



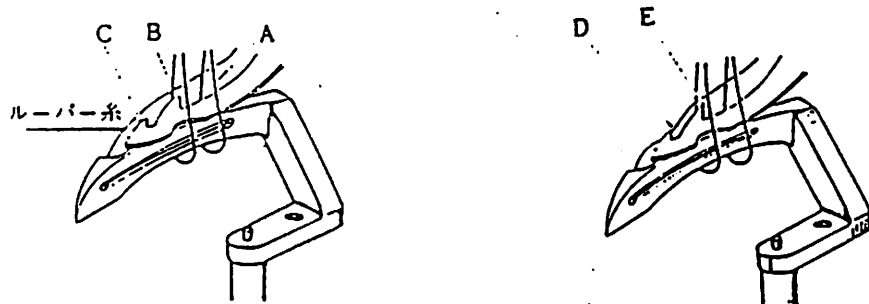
KNIFE ADJUSTMENT (Continued)

The above are standard adjustments for the UTC, differences in stitch length, material structure or thread design may require minor changes in adjustment. With the solenoid plug disconnected from the control box begin sewing then position the needles up (TDC) bring the needles 0.5 mm past TDC and set the needle positioner to stop at this point. Test several times to be sure the needles are stopping in the correct position after heeling back on the foot pedal.

Operate the solenoid by hand to see if the knife is entering the triangle properly. See Fig. 8. The needle thread catcher (E) should pass needle thread (B) by 2-3 mm and looper thread catcher (D) should pass looper thread (C). Adjust knife stroke and position as necessary.

On the return stroke (E) will pull (A&B) back to the stationary knife cut and release the needle threads. (D) will pull (C) to the stationary knife cut the looper thread and hold it between the movable knife and retainer spring.

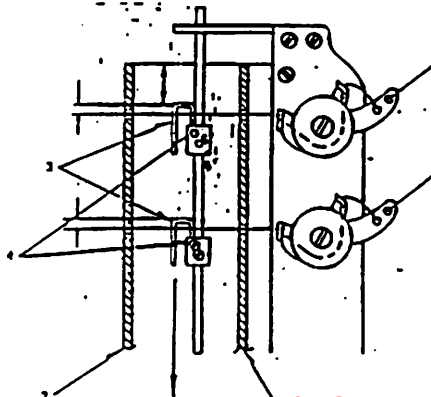
Fig. 8



TENSION RELEASE AND THREAD PULL-OFF ADJUSTMENTS

Adjust thread release cam (part # 06-712) by loosening the thread release driving lever and positioning the cam to release thread tension as soon as the trimming cycle begins. Adjust pull-off hooks so the needle thread is long enough to begin sewing on the first few stitches. (Fig. 9)

Fig. 9



NEEDLE THREAD WIPER ADJUSTMENT

After trimming operate the wiper by hand. The wiper must not come in contact with the presser foot or the needles. The threads are pulled back and held between springs (2&3) (Fig. 10 & Fig. 11)

Wiper height above the needle plate 7 mm as shown in Fig. 14 adjust by loosening screw (A, Fig 12) and turning the shaft as needed then tighten screw (A).

Wiper hook must pass left needle by 2-3 mm adjust eccentric stopper (#2, Fig.14)

Height of wiper in rest position 21-22 mm (Fig. 13) loosen set screws for solenoid actuating lever (#28, Fig. 14) and wiper actuating lever (#19, Fig. 14).

Thread retaining spring is set at 10 mm above needle plate (Fig. 13). Adjust with screws 4&5 (Fig. 10)

Retaining springs are set 16-17 mm from center of the needle bar (Fig. 13). Adjust with screws 4&5 (Fig. 13) and slide the bracket.

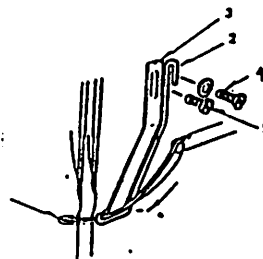


Fig. 10



Fig. 11

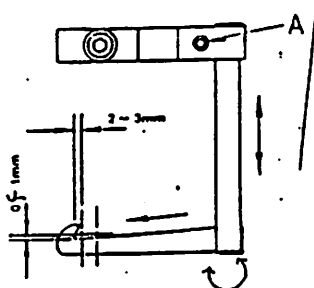


Fig. 12

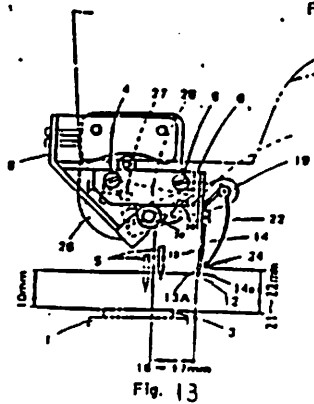


Fig. 13

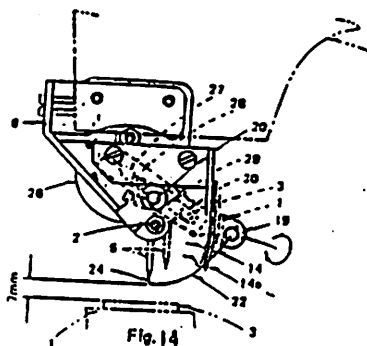


Fig. 14

TRIMMER TROUBLESHOOTING

Condition	Causes	Cures
Both threads not cut	Solenoid not working	Check fuse, check solenoid movement by hand.
	Solenoid jammed by linkage of tension assembly	Re-adjust tension assembly linkage for free movement
	Improper synchronizer timing	Reset synchronizer
	Solenoid plug disconnected	Connect plug for solenoid
	Power lead to motor not connected	Connect motor power lead
	Bent relay contacts	Reshape relay contacts
	Loose lower knife	Tighten lower knife
Needle thread too short after trimming	Needle thread pull-off set too high on tension assembly	Adjust thread strike-off lower for more needle thread
	Lower knife trims both sides of needle loop around looper	Re-adjust lower knife
Needle thread pinched after trim cycle	Not enough spring tension between upper and lower knife	Adjust spring tension between upper and lower knife
	Lower knife and clearance cut in looper thread retaining spring not aligned properly	Re-adjust knives
	Dull knife	Replace knives
	Upper and lower knives do not overlap enough for proper shearing	Re-adjust knives
Machine does not start sewing after trimming	Thread tail too short, thread pull-offs set too high	Re-adjust pull-offs for sufficient needle thread and looper thread
	Looper thread control cam, and tension not adjusted properly	Re-adjust looper thread control cam, and tension
	Looper thread retaining spring does not retain looper thread	Remove lint from between knives and re-adjust knives
Needle thread cut but looper thread not caught	Lower knife does not move far enough to the left	Re-adjust knife assembly and connecting rod (see adjusting instructions)
	Lower knife not properly adjusted	Adjust lower knife
Too much needle thread on top side of garment when starting to sew	Needle thread pull-off set too low	Raise needle thread pull-off